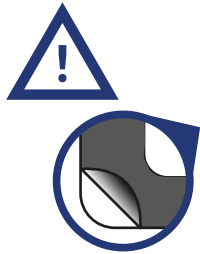


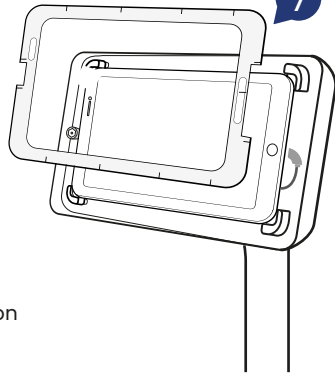
Compatible Options

Step 3

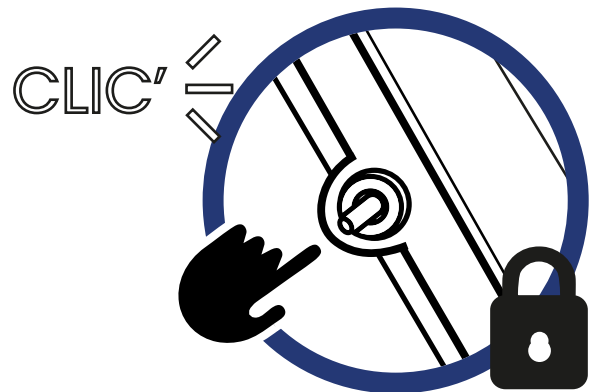
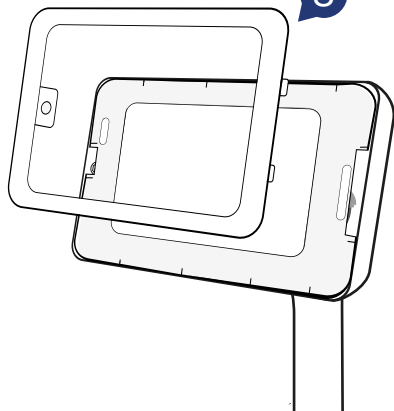
7



Remove protection before use



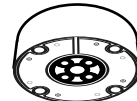
8



ON | OFF ACCESS



BASE KIOSK



ROTATE CUFF (CLIENT / SELLER)

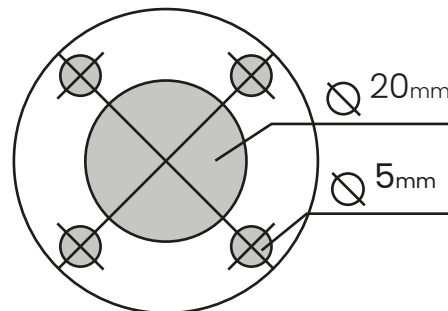


SWITCH CUFF (PORTRAIT/LANDSCAPE)



DRILLING PLAN

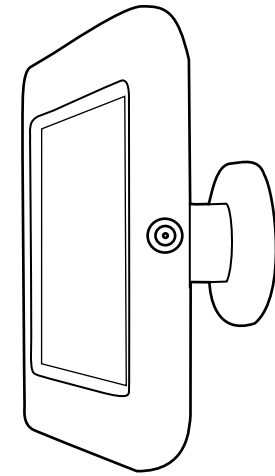
Stick this plan to the desired location and drill over



TABSTORE 90° Wall Kiosk

www.tablette-store.com

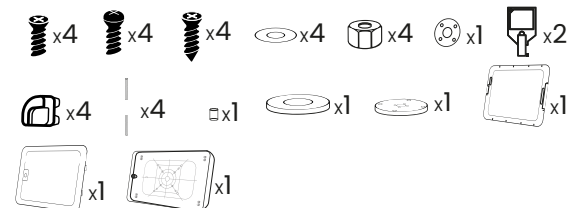
ASSEMBLY INSTRUCTIONS



Required Equipment :



Provided pieces :

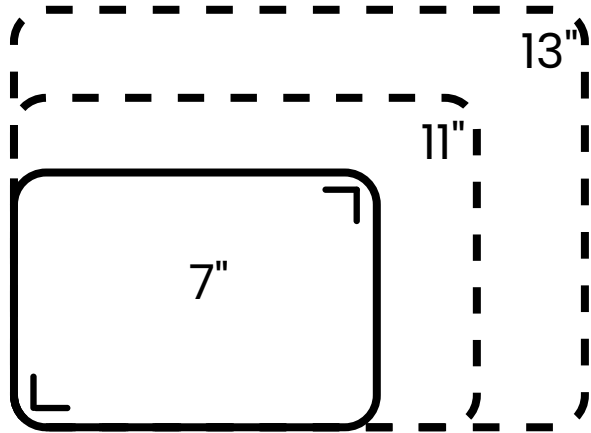


PIECES CAN CHANGE DEPENDING ON THE VERSION AND OPTIONS SELECTED

Dimensions :



DIMENSIONS MAY VARY DEPENDING ON THE CASE SIZE AND SELECTED OPTIONS

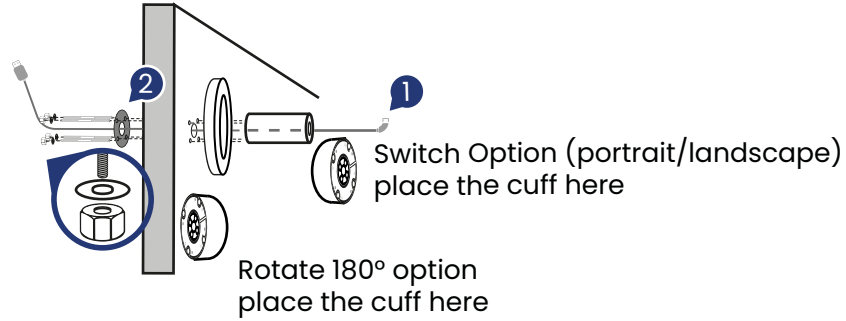


Step 1



Before the assembly, please pass the USB cable into the tube

ASSEMBLY ON THE WALL



Step 2

